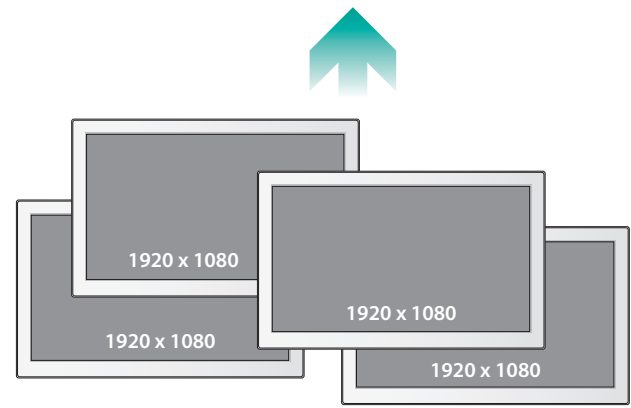
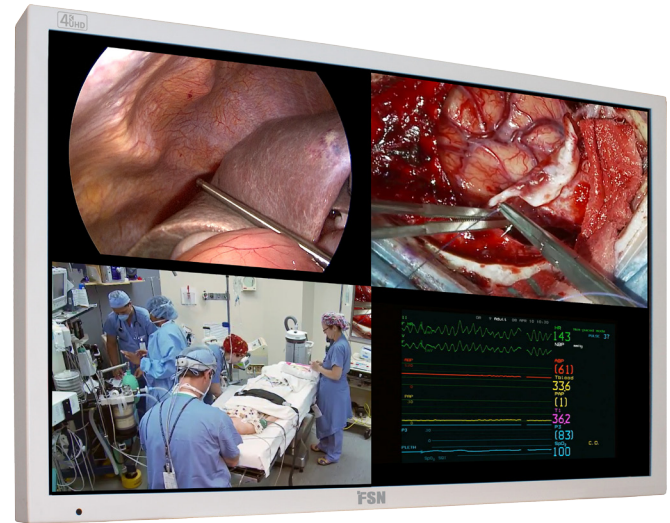


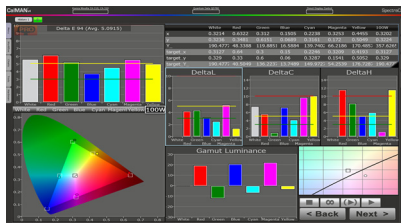
55" 4K UHD Medical Display

FSN Medical Technologies has solutions for managing your operating room video signals. Our products are engineered and built for compatibility with other highly specialized surgical and diagnostic equipment used in surgical suites, operating rooms, emergency rooms, and procedural facilities. FS-L5502D, our 55" 4K UHD medical display, is uniquely equipped to handle tasks in the demanding OR environment.

- Ultra-high resolution (3840 x 2160 pixels).
- High brightness LED technology.
- Quad HD high definition picture.
- Rapid signal detection, robust mode tables.
- Built to last, rugged aluminum housing.
- Calibrated to clinical color.
- Image mirror, rotate, pan, zoom, freeze, picture-in-picture.



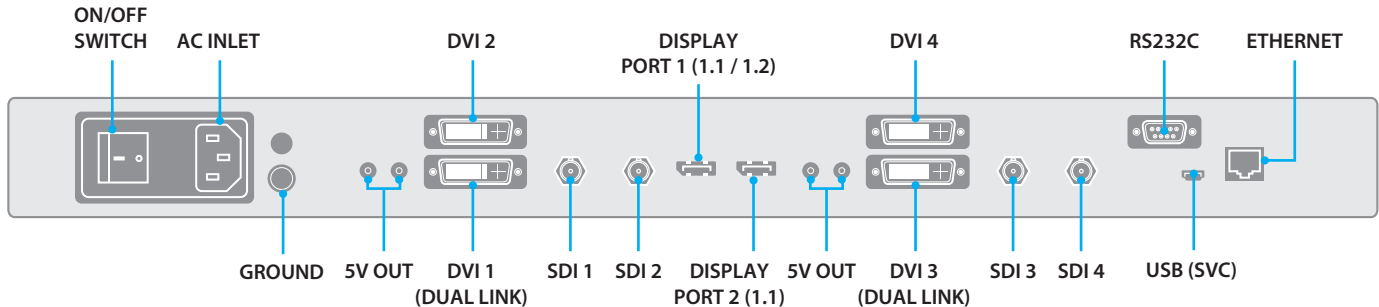
Accurate Color Reproduction



FSN has implemented methods to fine-tune the properties of our displays. Distinct color space settings have been calibrated to well-known surgical color preferences.

Quad Input

The information shown on four 27" monitors can now be displayed on one screen, all in full HD, using FS-L5502D.



FSN displays have the connections you need. All major inputs are accepted via the back side connection panel.

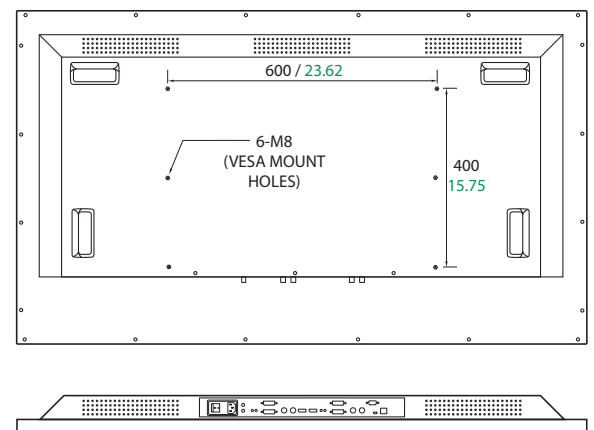
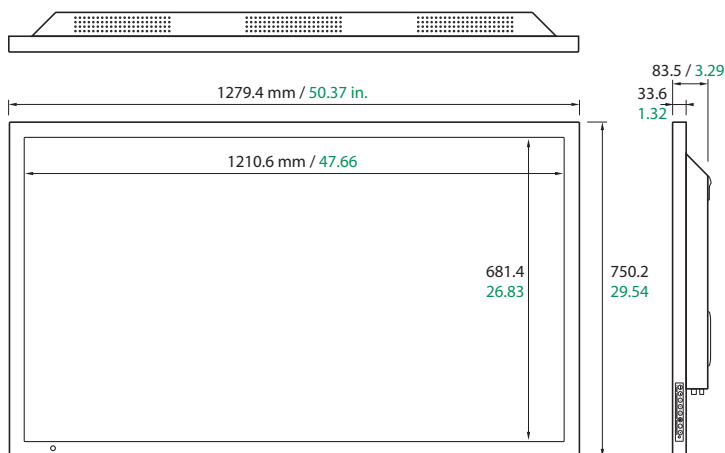
Specifications

General Features

Item	Description
Panel	55 inch TFT LCD (LED)
Resolution	3840 x 2160 pixel
Aspect Ratio	16 : 9
Input Signal	2 x DVI-D (Dual link) 2 x DVI-D (Single link) 4 x SD/HD/3G-SDI (BNC) 2 x DisplayPort (Ver. 1.1 / 1.2)
Power Supply	SMPS (AC 100~240V, DC 24V, 11A)
Control Key	Power, Menu, PIP, Up, Down, Plus, Minus, Input
Unit Dimension	1284.4(W) x 752.2(H) x 84.5(D) mm 50.57(W) x 29.61(H) x 3.33(D) inch
Average Brightness	450 cd/m ²
Response Time (G-to-G)	5 ms (avg.)
Viewing Angle (CR>10)	R/L 178, U/D 178
Weight	36.8 kg, 81.1 lbs.
Contrast Ratio	1400 : 1 typical
Pixel Pitch (mm)	0.315 x 0.315

Signal Timing

Input Signal	Type	Description
DVI	Type	Digital RGB
	Signal Format	TMDS single link
	Connector	DVI-D
DVI	Type	Digital RGB
	Signal Format	TMDS dual link
	Connector	DVI-D
SDI	SMPTE-424M	1080p (3G)
	SMPTE-292M	720p, 1080i (HD)
	SMPTE-259M	480i, 576i, (SD)
Display Port		DP 1.1 / 1.2



Specifications are subject to change with or without notice. Doc. # FSN1964 Rev. 6/15

www.fsnmed.com

Foreseeson Custom Displays, Inc.

2210 E. Winston Road
Anaheim, CA 92806 USA
Tel: 714-300-0540
Fax: 714-300-0546

San Jose, CA Tel: 714-507-3851
Fort Lee, NJ Tel: 714-507-3852
Atlanta, GA Tel: 714-507-3855
Orlando, FL Tel: 714-507-3853

Foreseeson Korea

404B, PangyoInnovalley B
253 Pangyo-ro
Bundang-gu Seongnam-si
Gyeonggi-do, Korea 463-400
Tel: +82-31-8018-0780
Fax: +82-31-8018-0786

Foreseeson GmbH

Industriestrasse 38a
63150 Heusenstamm, Germany
Tel: +49 6104 64398 0
Fax: +49 6104 64398 11

Foreseeson UK Ltd.

Unit 71 Barwell Business Park
Leatherhead Road
Chessington, Surrey KT9 2NY
Tel: +44 (0) 208 546 1047

Foreseeson (Shanghai)

Medical Equipment Co., Ltd.
Room 307, 3F
No. 56, 461 Hongcao Road
Caohejing Development District
Xuhui, Shanghai 200233
Tel: 86-21-6113-4188